

SPHINX[®]

OWNER'S MANUAL



SDP	standard
------------	----------

Read the instructions and warnings in this manual carefully before using this firearm; do not discard this manual.

This instruction manual should always accompany this firearm and be transferred with it upon ownership, or when the firearm is loaned or presented to another person.

TABLE OF CONTENTS

Table of Contents.....	1
Safety Instructions for Handling Firearms	2
1. Firearm Safety Rules	2
2. Safety Instructions for Handling Pistols	2
Package Contents	3
Technical Specifications	3
Product Dimensions	4
Preliminary Notes	4
Main Operating Components.....	5
Magazine Components.....	6
Assembly Components.....	7
Handling and Operation.....	9
1. Ammunition.....	9
2. Loading the Magazine.....	9
3. Using the Magazine Loader	10
4. Loading the Pistol	11
5. Loaded Chamber Indicator	12
6. Decocking	13
7. Firing	13
8. Reloading.....	14
9. Unloading	15
10. Pistol Disassembly.....	17
11. Pistol Assembly	19
12. Magazine Disassembly	20
13. Magazine Assembly	20
14. Grip Change.....	21
Maintenance	22
Lock and Storage	24
Function Check.....	25
Troubleshooting	26

SAFETY INSTRUCTIONS

FIREARM SAFETY RULES

- Always treat your firearm as if it is loaded.
- Never point a firearm at anything you are not willing to destroy.
- Keep your finger off the trigger until you are ready to shoot.
- Be fully aware of your target's foreground and background.

SAFETY INSTRUCTIONS FOR HANDLING PISTOLS

Please follow all the instructions for proper handling and operation. Failure to properly follow these instructions may lead to serious accidents to include the loss of life or limb.



DO NOT handle the pistol if you are under the influence of alcohol, drugs, or medication.

Before using or cleaning the pistol, please ensure:

- The magazine has been removed.
 - The pistol is unloaded (chamber is empty).
 - The barrel is free of foreign substances or objects.
1. When handing over or taking over the pistol, the slide must always be open and the chamber empty.
 2. Do not use excessive force when handling, disassembling, cleaning, or reassembling the pistol.
 3. Dismantle the pistol only to the extent described in these instructions.
 4. ALWAYS wear properly rated eye and hearing protection when shooting.
 5. Only use factory manufactured, new ammunition.
 6. When firing, keep your hand clear of the slide and the muzzle area to avoid injury.
 7. This manual is to remain with the pistol at all times.

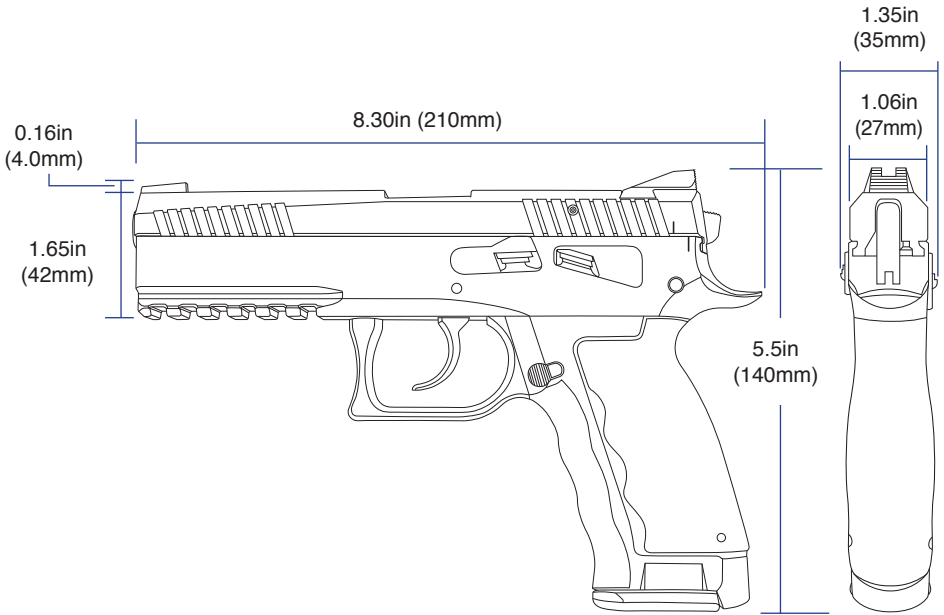
PACKAGE CONTENTS

- [1] SDP Standard 9mm
- [2] Magazines
- [3] Grips (Medium size installed)
- [1] Magazine Loader
- [1] Owner's Manual
- [1] Cleaning Kit
- [1] Sphinx Pistol Case
- [1] Grip Removal Tool

TECHNICAL SPECIFICATIONS

Caliber		9 x 19mm
Overall length		8.3in / 210mm
Overall height		5.5in / 140mm
Overall Width		1.35in / 35mm
Weight (without magazine)		31.43oz / 891gr.
Barrel length		4.5in / 115mm
Sight radius		6.5in / 165mm
Sight	Front	Iron
	Rear	Iron
Action		DA/SA with ambidextrous decocking lever or manual safety
Slide	Material	Steel
	Finish	Black with PVD coating
Frame Material	Upper	Aircraft grade aluminium
	Lower	Advanced polymer composite
Grip inserts		Polymer with rubberized overmold
Grip width		Small: 1.19in / 30.35mm
		Medium: 1.29in / 32.82mm
		Large: 1.40in / 35.51mm
Magazine catch		Left / right - reversible
Magazine capacity		15 rounds (optional 10 round for required states)

PRODUCT DIMENSIONS



PRELIMINARY NOTES

1. Problem-free functioning and long durability of the pistol can be ensured only through proper handling, operation, maintenance and strict adherence to these instructions.
2. The information presented as “right,” “left,” “front,” and “rear” refers to the position of the pistol in the direction of fire.
3. Descriptions of the pistol parts and tasks are generally listed only once. Therefore, references are made to the respective sections contained in the manual.
4. In general, the assembly of the pistol is done in the reverse sequence of disassembly.
5. **Only use** original SPHINX spare parts. Warranty shall be void if you use any other spare parts. When ordering spare parts, please provide product number and part description.

MAIN OPERATING COMPONENTS



1: Slide

2: Slidestop lever

3: Hammer

4: Decocking lever

5: Magazine catch

6: Trigger

7: Rear sight

8: Barrel

9: Front sight

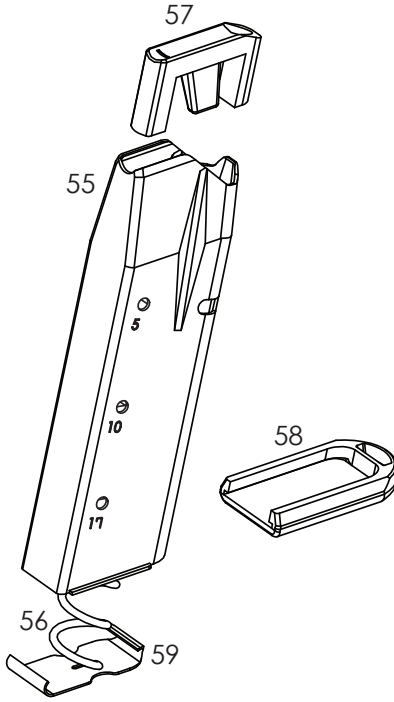
10: Trigger guard

11: Interchangeable grip

12: Magazine

13: Picatinny Accessory Rail

MAGAZINE ASSEMBLY COMPONENTS



.....
55: Magazine body
.....

56: Magazine spring
.....

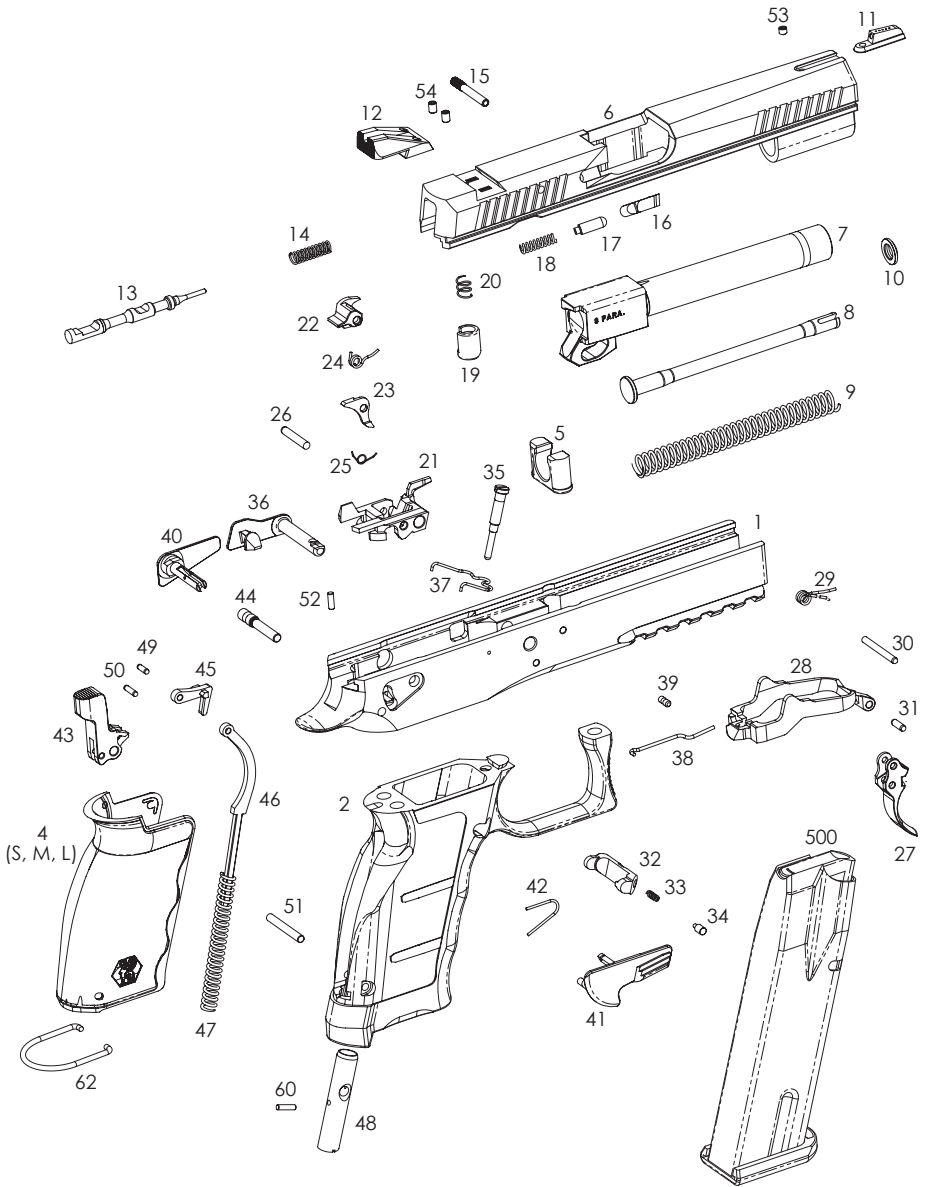
57: Magazine follower
.....

58: Magazine baseplate
.....

59: Magazine insert
.....

ASSEMBLY COMPONENTS

SDP Standard Exploded Diagram



ASSEMBLY COMPONENTS

1: Upper frame	27: Trigger	53: Front sight screw
2: Lower frame	28: Trigger bar	54: Rear sight screw
4S: Grip (small)	29: Trigger spring	60: Pivot pin
4M: Grip (medium)	30: Trigger pin	62: Grip removal tool
4L: Grip (large)	31: Trigger bar pin	500: Magazine
5: Buffer	32: Magazine catch	
6: Slide	33: Magazine catch spring	
7: Barrel	34: Magazine catch plunger	
8: Recoil spring guide	35: Magazine catch screw	
9: Recoil spring	36: Slidestop lever	
10: Recoil spring stop	37: Trigger bar spring	
11: Front sight	38: Slidestop lever spring	
12: Rear sight	39: Slidestop lever spring pin	
13: Firing pin	40: Decocking lever (left)	
14: Firing pin spring	41: Decocking lever (right)	
15: Firing position pin	42: Decocking lever spring	
16: Extractor	43: Hammer	
17: Extractor plunger	44: Hammer pin	
18: Extractor spring	45: Disconnecter	
19: Firing pin safety	46: Hammer strut	
20: Firing pin safety spring	47: Hammer spring	
21: Ejector	48: Pivot	
22: Sear	49: Disconnecter pin	
23: Firing pin safety activator	50: Hammer strut pin	
24: Sear spring	51: Grip pin	
25: Safety activator spring	52: Hammer pin retainer	
26: Sear pin		

HANDLING AND OPERATION

Ammunition

Use only new, factory manufactured ammunition in your Sphinx pistol that is the correct caliber and is SAAMI and/or C.I.P. approved.

Ensure that your ammunition is free of defects, dirt, debris, lubrication, or anything that may cause malfunctions.



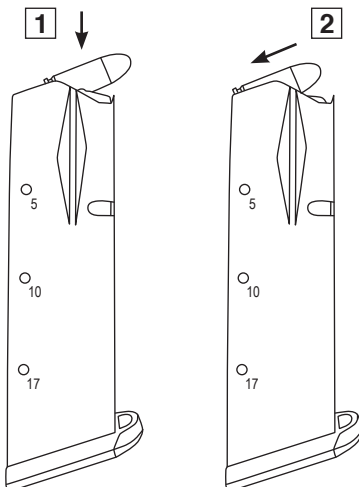
DO NOT use re-manufactured ammunition. Use of re-manufactured ammunition WILL void your warranty and may result in severe bodily injury and severe damage to your pistol.

Loading the Magazine



Be sure to use the appropriate caliber of ammunition and original Sphinx magazine for your pistol. Failure to utilize the correct ammunition and original Sphinx magazine may result in a malfunction and could cause severe injury and/or death.

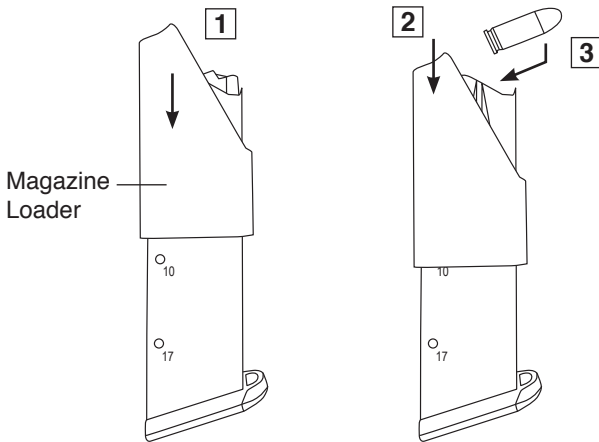
1. With the bullet facing the front of the magazine, insert the rim of the case down into the follower.
2. Push the round to the rear of the magazine, underneath the magazine lips.
3. Repeat until the magazine is fully loaded.



HANDLING AND OPERATION

Using the Magazine Loader

1. Place the magazine loader onto the top of the magazine.
2. Push down on the magazine loader to compress the magazine spring.
3. While maintaining pressure on the magazine loader, place the round into the magazine and release the magazine loader.
4. Repeat steps 1-3 until the magazine is fully loaded.



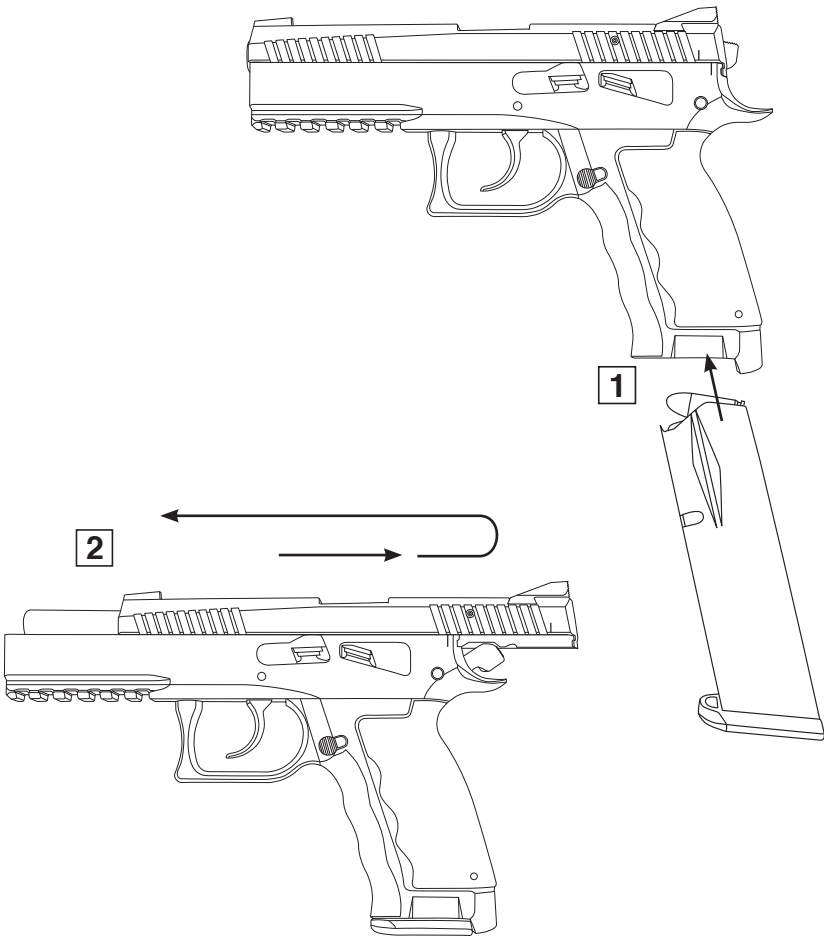
HANDLING AND OPERATION

Loading the Pistol



ALWAYS, point the pistol in a safe direction.

1. Insert a loaded magazine, ensuring it positively locks into place.
2. Pull the slide to the furthest, rearward position and release, allowing the force of the recoil spring to push the slide forward. This will chamber a round.

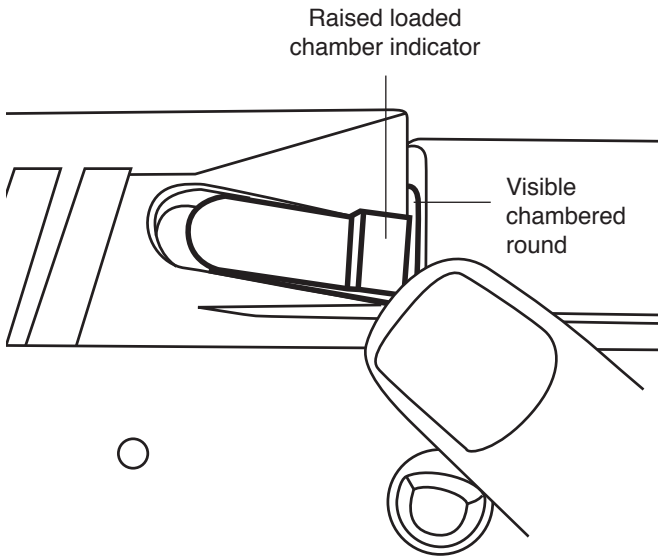


HANDLING AND OPERATION

Loaded Chamber Indicator

The loaded chamber indicator provides the user with a tactile and visual reference to indicate whether or not the pistol is loaded.

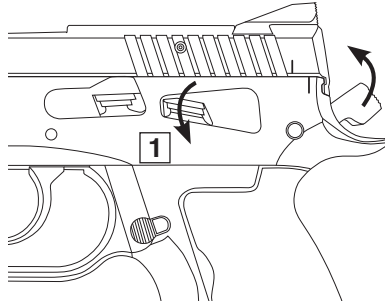
- When a round is chambered, the loaded chamber indicator will be raised and can be felt by touch.
- If a round is chambered, the edge of the round will be visible from the right side of the pistol between the slide and the breech.



HANDLING AND OPERATION

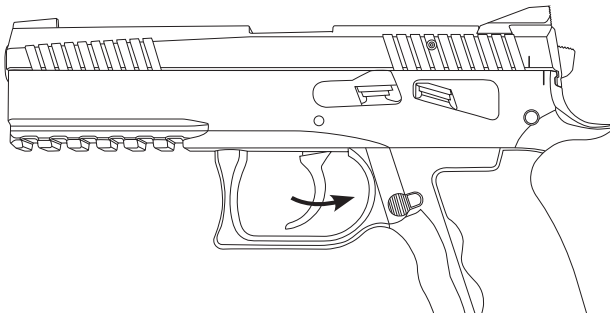
Decocking

1. To decock the pistol and return to Double-Action from Single-Action, press down on the decocking lever.



Firing

1. Align your front and rear sights at your intended target.
2. Place your finger on the trigger.
3. Squeeze the trigger to fire.
4. Repeat until the magazine is empty.

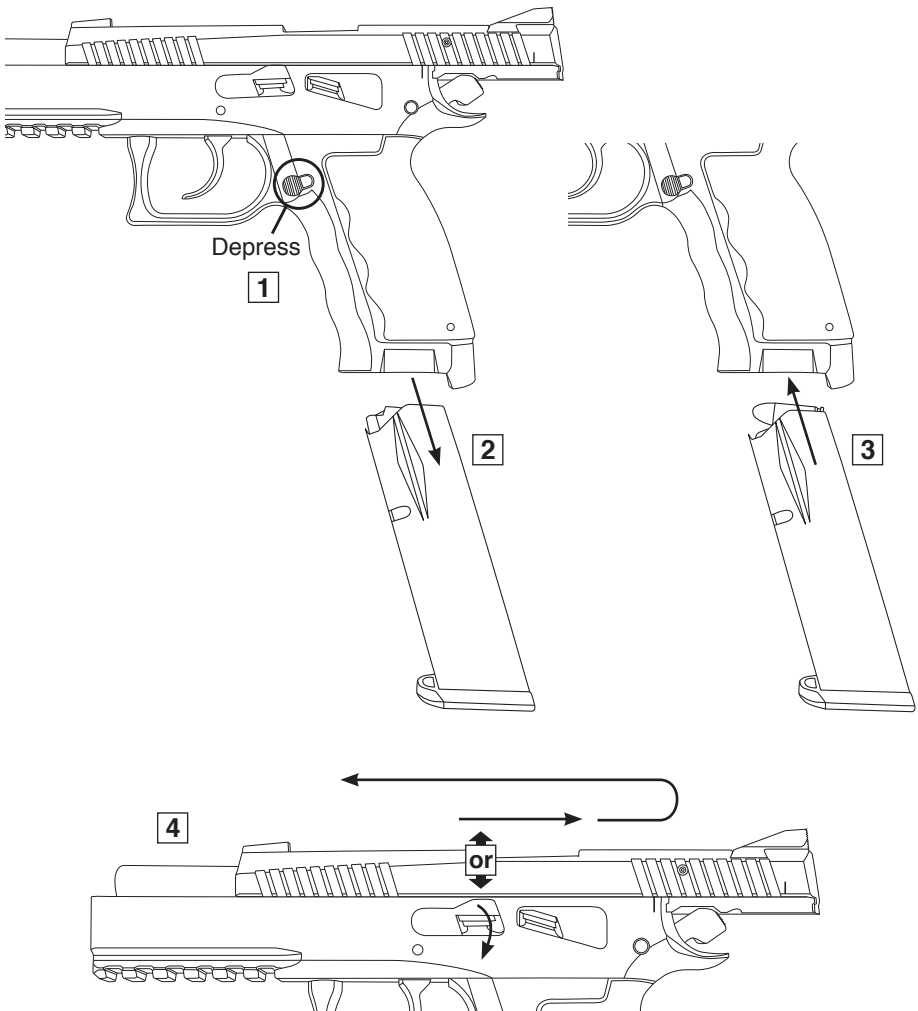


HANDLING AND OPERATION

Reloading

NOTE: The slidestop lever will lock the slide into the rearward position after all the ammunition has been fired.

1. To reload the pistol, eject the magazine by depressing the magazine catch.
2. Remove the magazine.
3. Insert a loaded magazine, ensuring it positively locks into place.
4. To chamber a round, press down on the slidestop lever or pull the slide to the furthest rearward position and release.



HANDLING AND OPERATION

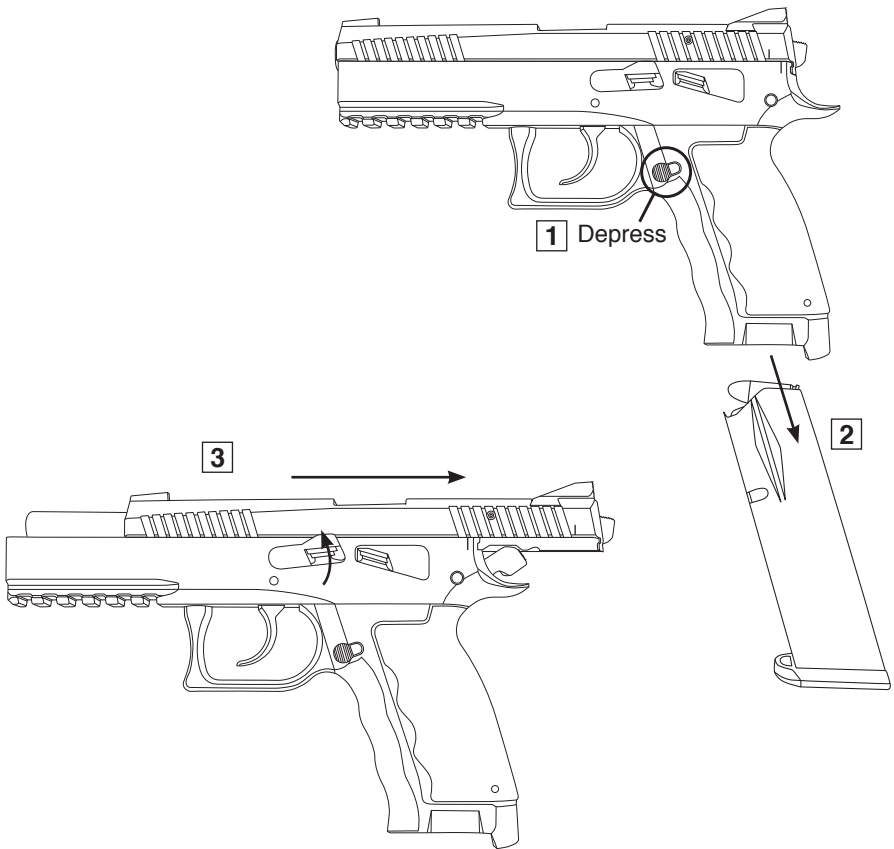
Unloading



ALWAYS assume the pistol is loaded.

ALWAYS point the pistol in a safe direction.

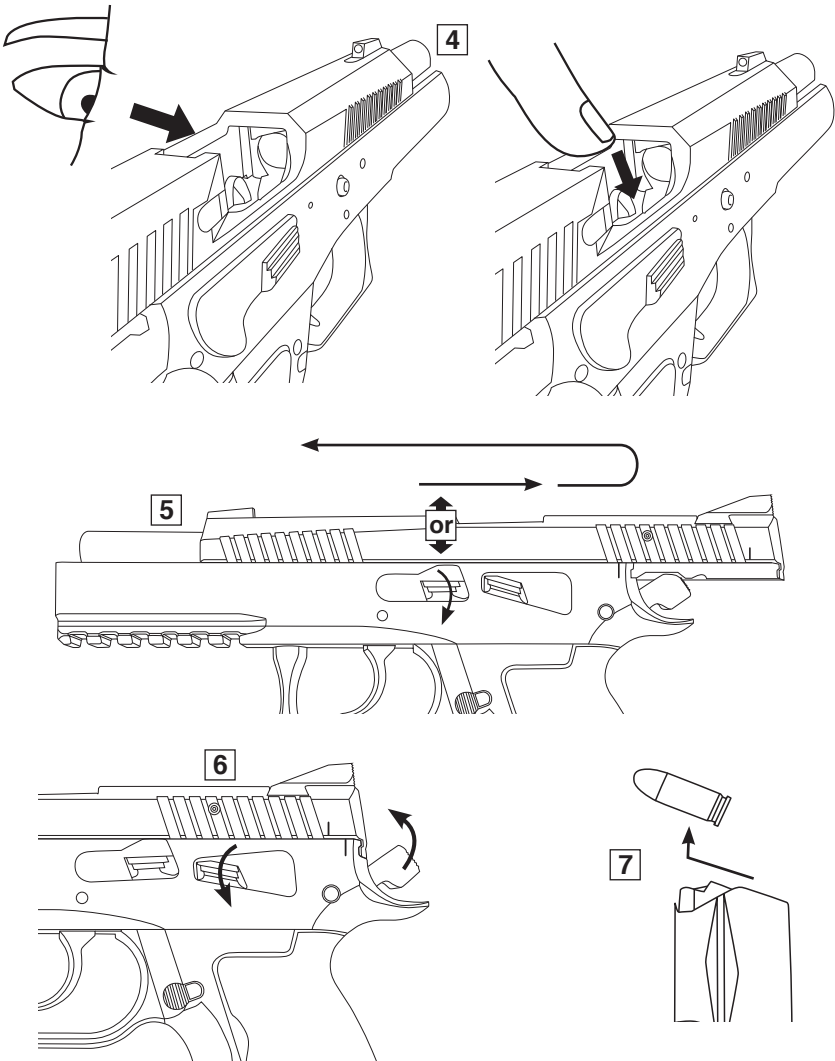
1. Depress the magazine catch.
2. Remove the magazine from the pistol.
3. Pull the slide to the rearward position and simultaneously push the slidestop lever up to keep the slide in the open and locked position.



HANDLING AND OPERATION

Unloading

4. Check the pistol visually and manually to ensure the pistol is completely unloaded and that it is clear of any ammunition.
5. Press the Slidestop lever down or pull the slide to the furthest rearward position and release.
6. Press the decocking lever down to return the pistol to Double-Action.
7. Remove all ammunition from the magazine.



HANDLING AND OPERATION

Pistol Disassembly

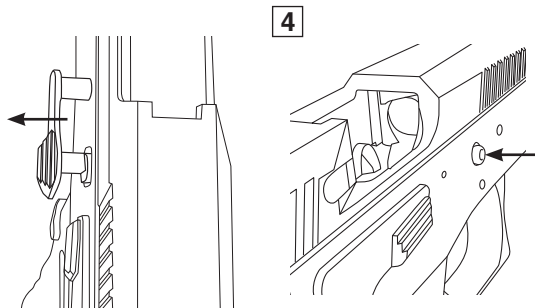
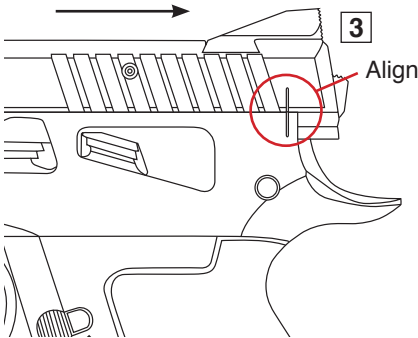
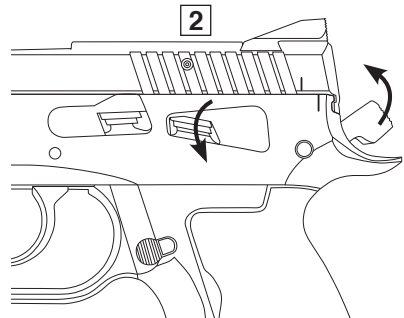


Before disassembling the pistol, ensure the magazine is removed and the chamber is empty.

The pistol is disassembled without tools. Use of excessive force of any kind should be avoided.

NOTE: The pistol may not be disassembled further than is described in the following steps.

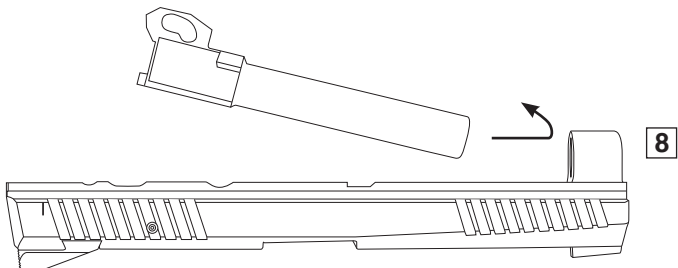
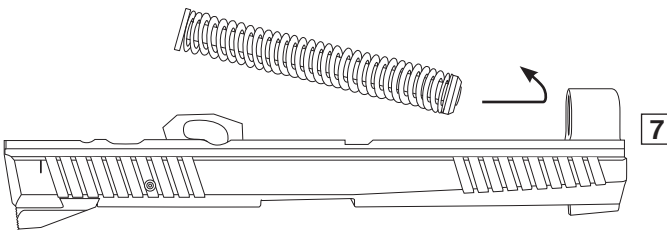
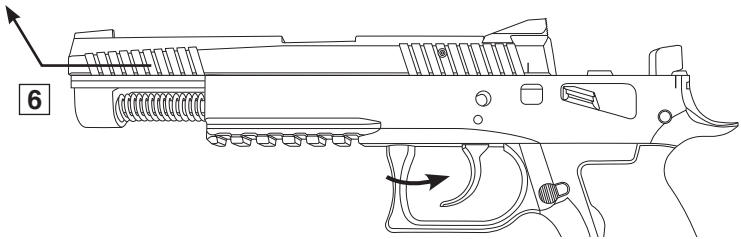
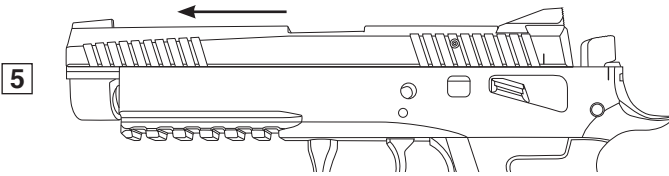
1. Unload the pistol. (see Unloading process on page 16 & 17)
2. Use the decocking lever to reset the hammer. Failure to do so can cause the gun to lock up during disassembly.
3. Align the disassembly lines on the slide and frame.
4. While maintaining the alignment of the disassembly lines, push the slidestop lever in from the right side of the upper frame and remove the slidestop lever from the left side.



HANDLING AND OPERATION

Pistol Disassembly

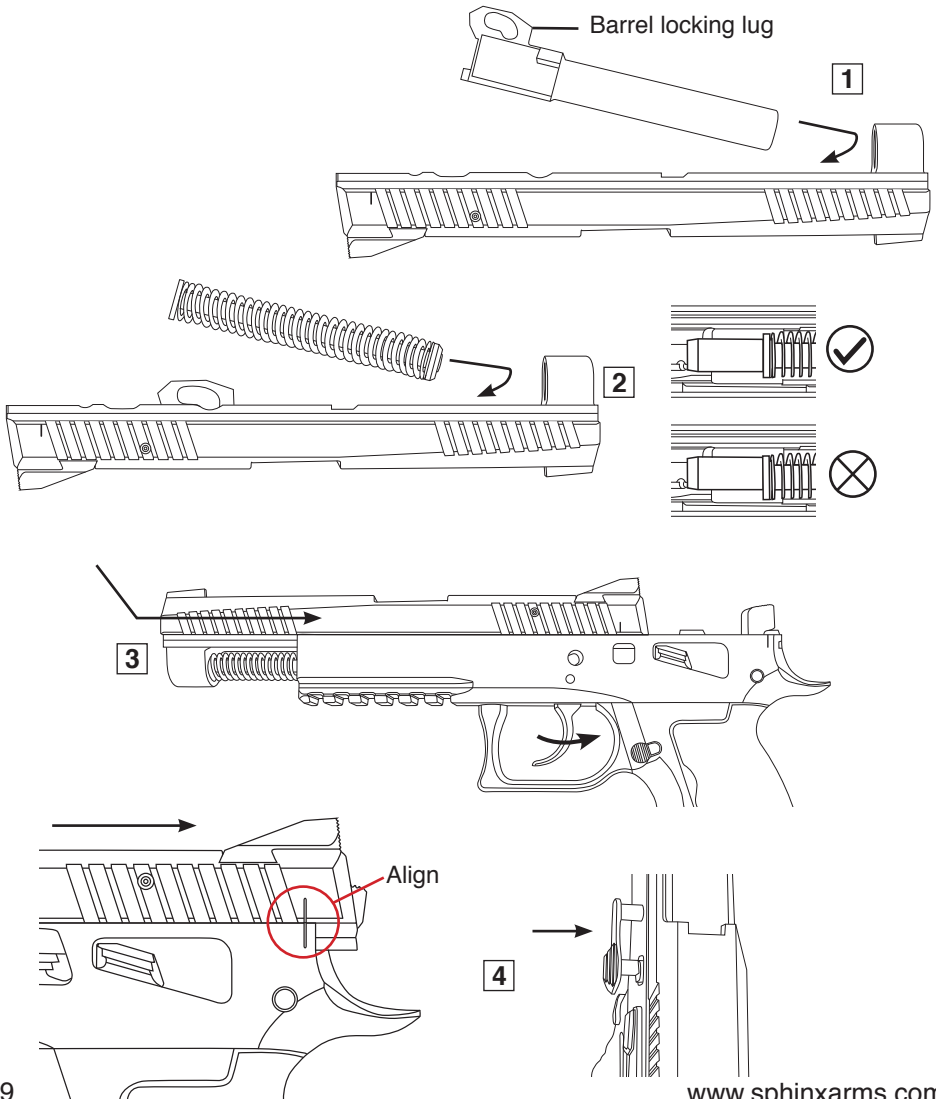
5. Pull the slide forward, away from the frame, until the slide stops.
6. Then lightly squeeze the trigger while simultaneously pulling the slide forward until the slide fully disengages from the frame
7. Push the recoil spring guide and spring and remove from the slide.
8. Lift the barrel from the slide.



HANDLING AND OPERATION

Pistol Assembly

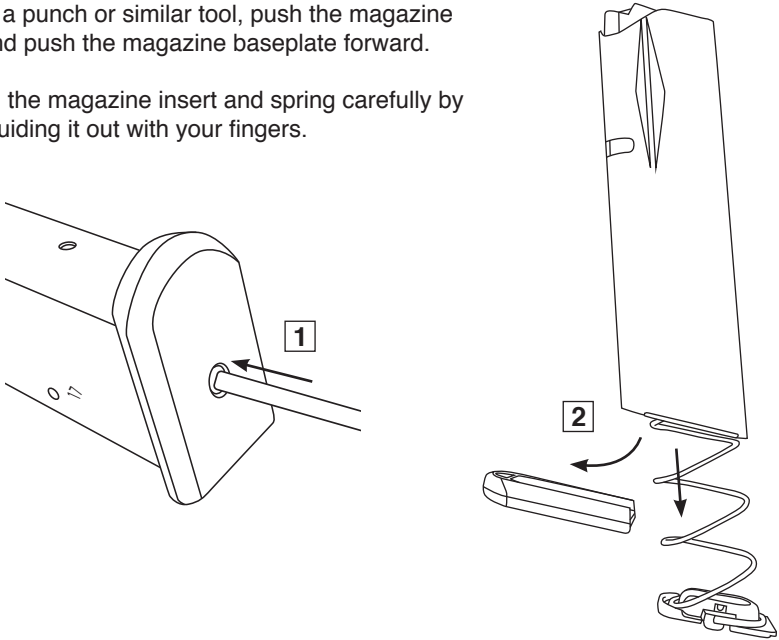
1. Insert the barrel into the slide.
2. Push the recoil spring guide into place and ensure that the recoil spring guide is properly centered against the barrel locking lug.
3. Place the slide onto the frame and glide it all the way back into position.
4. Realign the disassembly lines on the slide and frame, and insert the Slidestop lever from the left side of the frame until secured.



HANDLING AND OPERATION

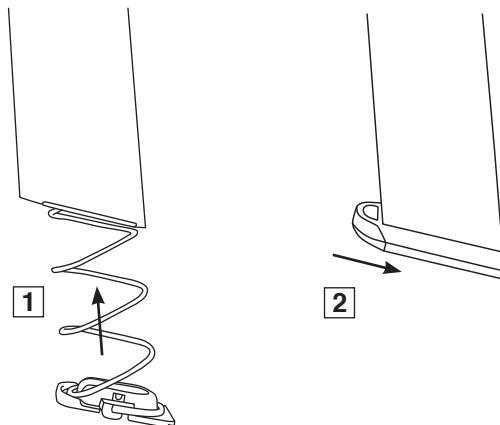
Magazine Disassembly

1. Utilizing a punch or similar tool, push the magazine insert and push the magazine baseplate forward.
2. Remove the magazine insert and spring carefully by slowly guiding it out with your fingers.



Magazine Assembly

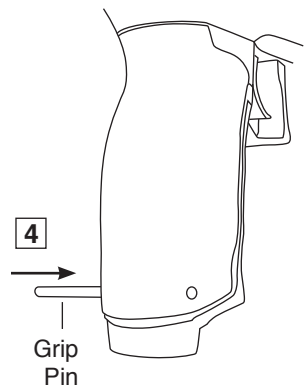
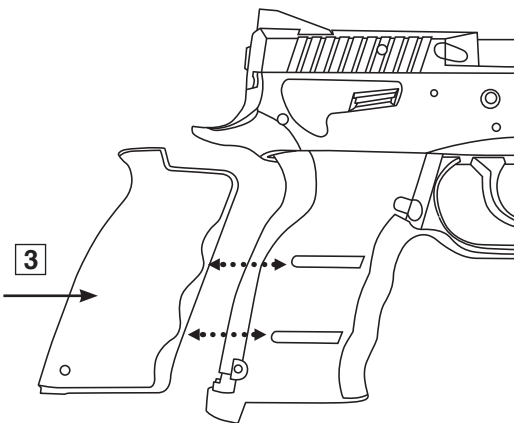
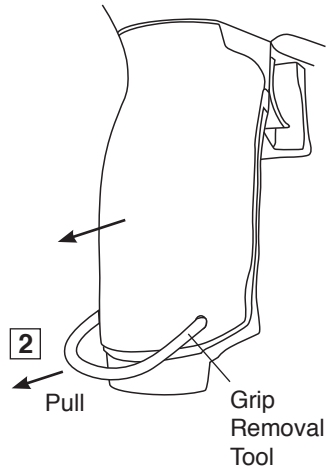
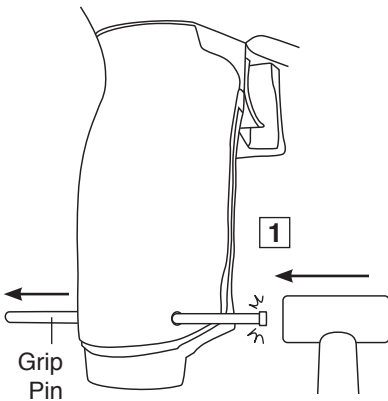
1. Push the magazine follower, magazine spring and magazine insert assembly into the magazine body.
2. While pushing the magazine insert into the magazine body, slide the magazine baseplate onto the magazine until it locks into place.



HANDLING AND OPERATION

Grip Change

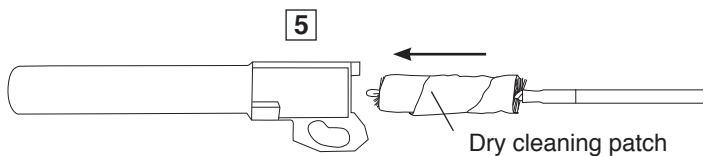
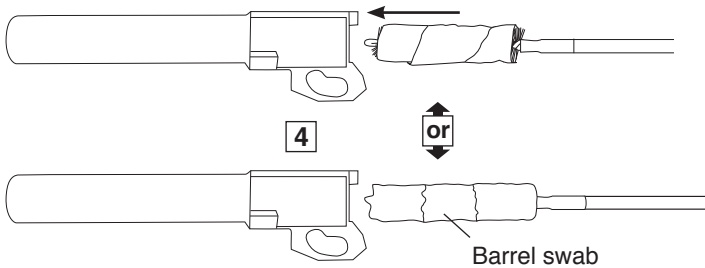
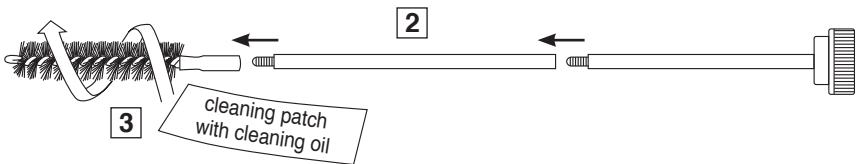
1. Using a punch and mallet, remove the grip pin.
2. Use the grip removal tool to grab and pull the grip away from the lower frame.
3. Replace the grip with your preferred size ensuring that the grooves in the grip match the rails on the lower frame.
4. Replace the grip pin using the punch and mallet.



MAINTENANCE

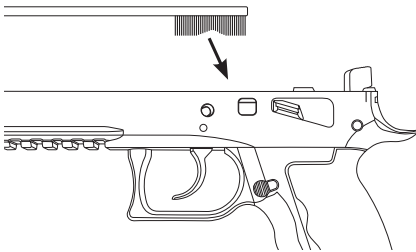
NOTE: Perform maintenance after each session the pistol is fired.

1. Fully disassemble the pistol as described in “Pistol Disassembly” on page 18 & 19.
2. Assemble the included cleaning brush.
3. Apply gun cleaning solution/oil to a cleaning patch and wrap patch around barrel cleaning brush.
4. Insert the barrel cleaning brush into the barrel through the chamber and push the brush through. Repeat until carbon and residue is removed. The included cleaning swab can also be used to clean the pistol.
5. Use a dry cleaning patch with the barrel cleaning brush or barrel swab to remove excess gun cleaning solution/oil.

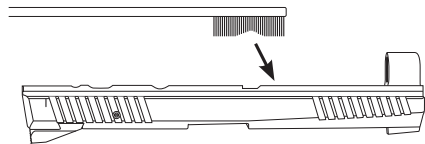


MAINTENANCE

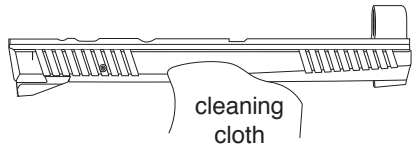
6. Remove carbon build up and other residue from the frame, barrel, slide, slide rails, recoil spring guide, recoil spring, etc. with a cleaning brush.
7. Clean exterior surfaces with a cloth.
8. Lightly lubricate external and internal surfaces of the barrel, slide, frame, and particularly the slide rails.
9. Remove excess lubrication.



6



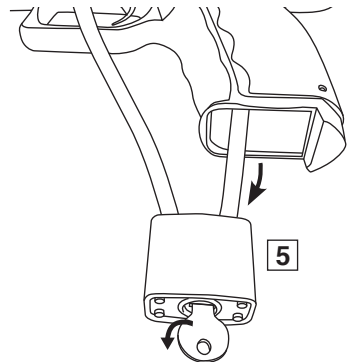
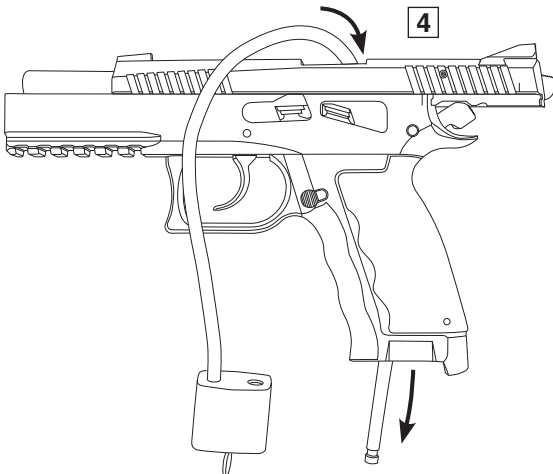
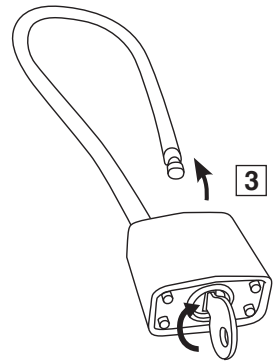
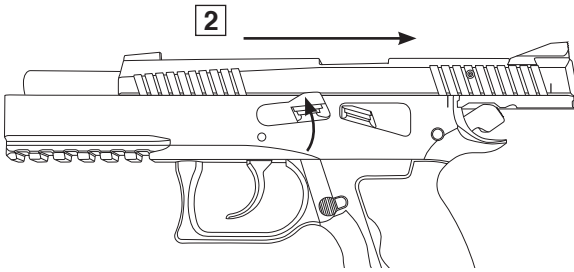
7



LOCK AND STORAGE

When the firearm is not in use, please install a pistol cable lock prior to storage. Failure to do so can result in the misuse and handling of the firearm by unauthorized personnel.

1. Unload the pistol. (See Unloading process on page 16 & 17)
2. Lock the slide to the rear by pulling the slide back and simultaneously pushing the slidestop lever up to keep the slide in the open and locked position.
3. Using the provided key, open the pistol cable lock and release one end of the cable from the locking mechanism.
4. Thread the cable through the ejection port and down the magazine well.
5. Place the cable into the locking mechanism and lock the cable into place.
6. Pull the cable to ensure that the cable is firmly locked into position.



FUNCTION CHECK

Perform function check after disassembly/reassembly, repairs, and cleaning to ensure proper operation.

1. Ensure the pistol is unloaded.
2. Pull the slide to the furthest rearward position and release, allowing the force of the recoil spring to push the slide forward. Repeat and ensure that the slide returns completely forward.
3. Squeeze the trigger to ensure the hammer falls at the end of the trigger squeeze.
4. Insert an empty magazine.
5. Pull the slide to the furthest rearward position and release. The slide should remain locked in the open position by the slidestop lever.
6. Press the slidestop lever down to release the slide.
7. Eject the magazine.
8. Check the magazine baseplate to ensure it is secure.
9. Ensure the magazine follower and spring can fully compress and decompress.
10. Insert the magazine and eject the magazine to verify smooth insertion and release.
11. Inspect the pistol and magazine exterior and note any damage, loose parts, etc.

TROUBLESHOOTING

In case of any faults, the pistol should be secured immediately and treated as loaded until the actual condition is established.

When troubleshooting, follow the safety measures described in this manual.

Fault and Defect	Cause	Remedy
Cartridge failed to ignite (misfire).	<ul style="list-style-type: none"> • Defective cartridge. • Damaged firing pin and/or hammer spring. 	<ul style="list-style-type: none"> • Keep the pistol pointed downrange in a safe direction for 30 seconds, then remove and safely discard the round. • Use another cartridge. • Inspect firing pin and hammer spring.
Pistol is not cycling after firing.	<ul style="list-style-type: none"> • Defective case. • Debris in the chamber and/or rails. 	<ul style="list-style-type: none"> • Use another cartridge. • Clean the chamber and rails.
Case does not eject.	<ul style="list-style-type: none"> • Defective cartridge. • Debris on the extractor. • Damaged extractor components, and/or ejector. 	<ul style="list-style-type: none"> • Use another cartridge. • Clean the extractor. • Inspect extractor components, and ejector.
Cartridge is not being chambered.	<ul style="list-style-type: none"> • Incorrect caliber. • Defective cartridge. • Debris in chamber. • Damaged recoil spring. 	<ul style="list-style-type: none"> • Use correct caliber. • Use another cartridge. • Clean the chamber. • Inspect recoil spring.
Cartridge is not being fed.	<ul style="list-style-type: none"> • Incorrect caliber. • Incorrect magazine. • Defective cartridge. • Debris in magazine components. • Damaged magazine components. 	<ul style="list-style-type: none"> • Use correct caliber. • Use correct magazine. • Use another cartridge. • Clean magazine components. • Inspect magazine components.
Slide doesn't remain open after firing final round.	<ul style="list-style-type: none"> • Defective cartridge. • Debris in magazine components. • Damaged magazine components. • Damaged slidestop lever and/or slidestop lever spring. 	<ul style="list-style-type: none"> • Use another cartridge. • Clean magazine components. • Inspect magazine components. • Inspect Slidestop lever and slidestop lever spring.
Lateral shift in point of impact.	<ul style="list-style-type: none"> • Defective cartridge. • Rear sight screw(s) are loose. • Rear sight screw(s) are missing. 	<ul style="list-style-type: none"> • Use another cartridge. • Tighten sight screw(s). • Contact customer service.
Vertical shift in point of impact.	<ul style="list-style-type: none"> • Defective cartridge. • Front and/or rear sight screw(s) is loose. • Front and/or rear sight screw(s) is missing. • Damaged front sight. 	<ul style="list-style-type: none"> • Use another cartridge. • Tighten sight screw(s) • Contact customer service. • Inspect front sight.

